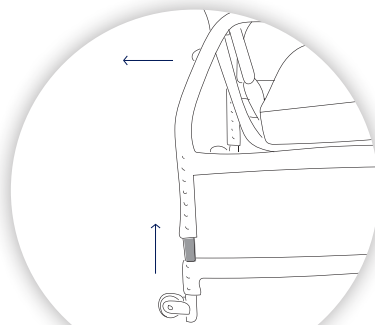
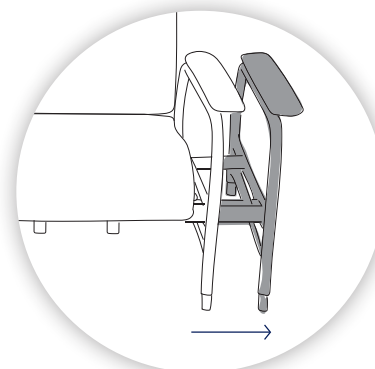


MAXI DAY CHAIR

Aspire for... Independence, Support & Comfort



Height & Depth Adjustable



Width Adjustable

FEATURES & BENEFITS

- Sturdy, flexible design for added stability and safety for the larger user, generous 310kg weight capacity.
- Ergonomic seat with anterior tilt to improve posture and reduce fatigue.
- Height, width and depth adjustability in seat and back for superior customised comfort.
- Easily manoeuvrable with push handle and transport wheels.
- Easy clean, breathable and comfortable vinyl upholstery and powder coated frame for effortless maintenance and longevity.
- Available in Burgundy.



Caters to Bariatric Users with a Safe Working Load (SWL) of 310kg



1 YEAR WARRANTY

CODE	SEAT DEPTH RANGE	SEAT WIDTH RANGE	BACKREST WIDTH	BACKREST HEIGHT RANGE	SEAT HEIGHT RANGE	BACKREST HEIGHT	PRODUCT WEIGHT
CHP208010	390 - 530 mm	600 - 810 mm	600 mm	1120 - 1340 mm	370 - 520 mm	740mm	45 kg

1300 133 120

www.aspirecare.com.au

